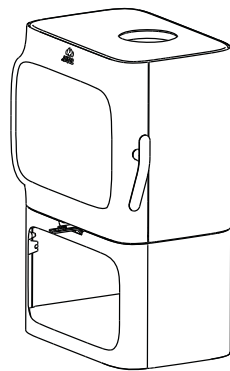
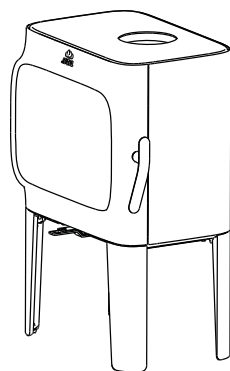


Jøtul F 305 R

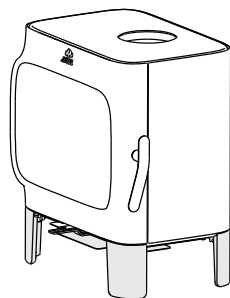
Jøtul F 305 R B (base)



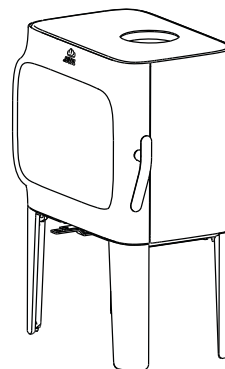
Jøtul F 305 R LL (Long legs)



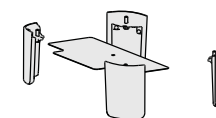
Jøtul F 305 R SL (short legs)



Jøtul F 305 R LL (long legs)



Short legs



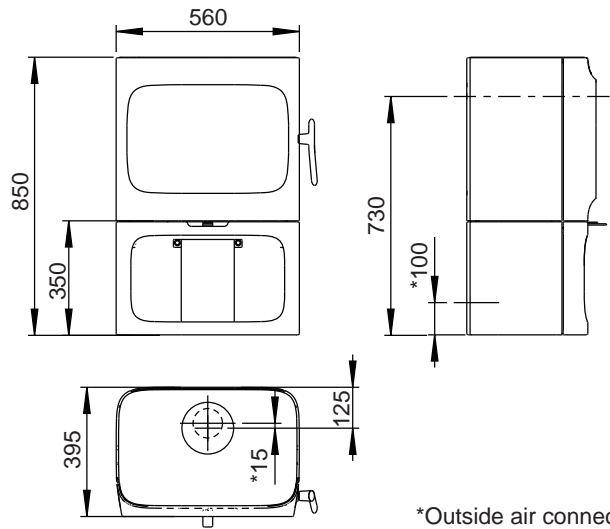
=

+

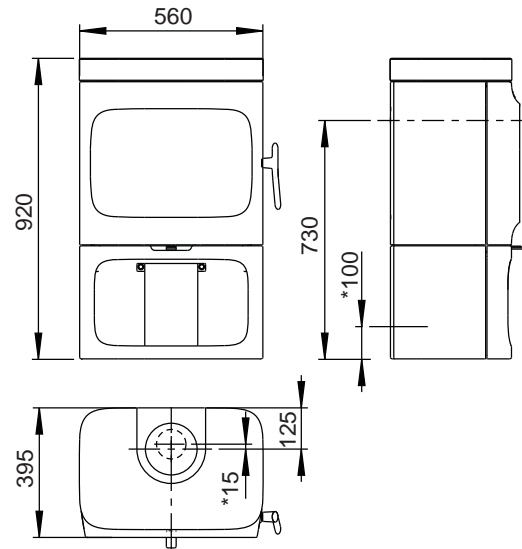
Fig. 1b R

Jøtul F 305 R

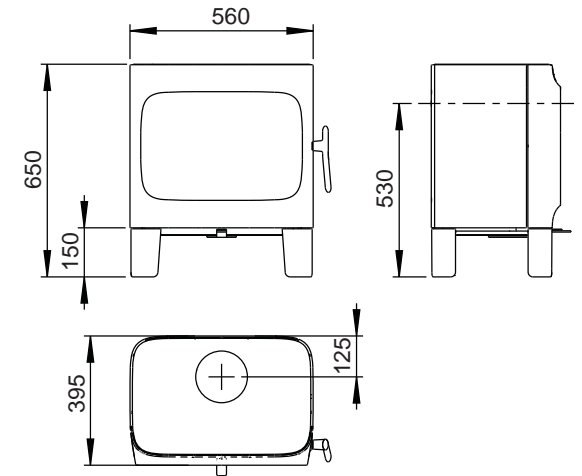
Jøtul F 305 R B (base)



Jøtul F 305 R B (base and soapstone top)

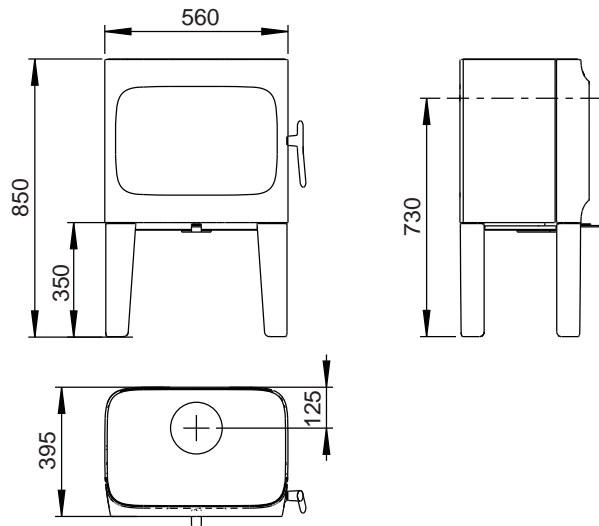


Jøtul F 305 R SL (short legs)

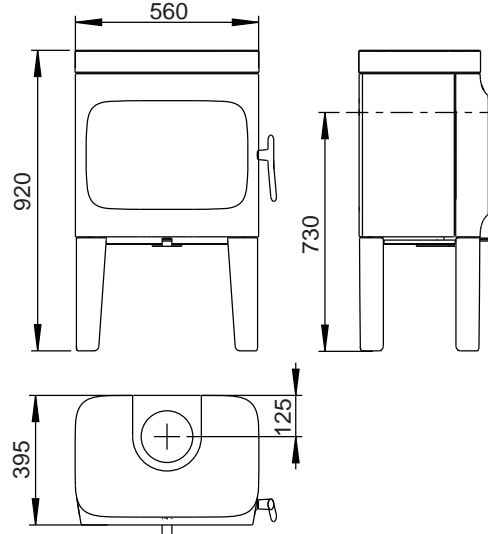


NB: The short legged version (F 305 SL) can only be installed on a constructional hearth which must have an extension of minimum 500 mm in front of the stove. For further information please see Approved Document J2010 Section 2.22.

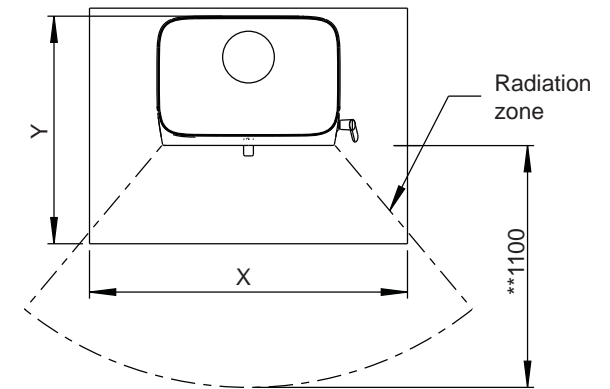
Jøtul F 305 R LL (long legs)



Jøtul F 305 R LL (long legs and soapstone top)



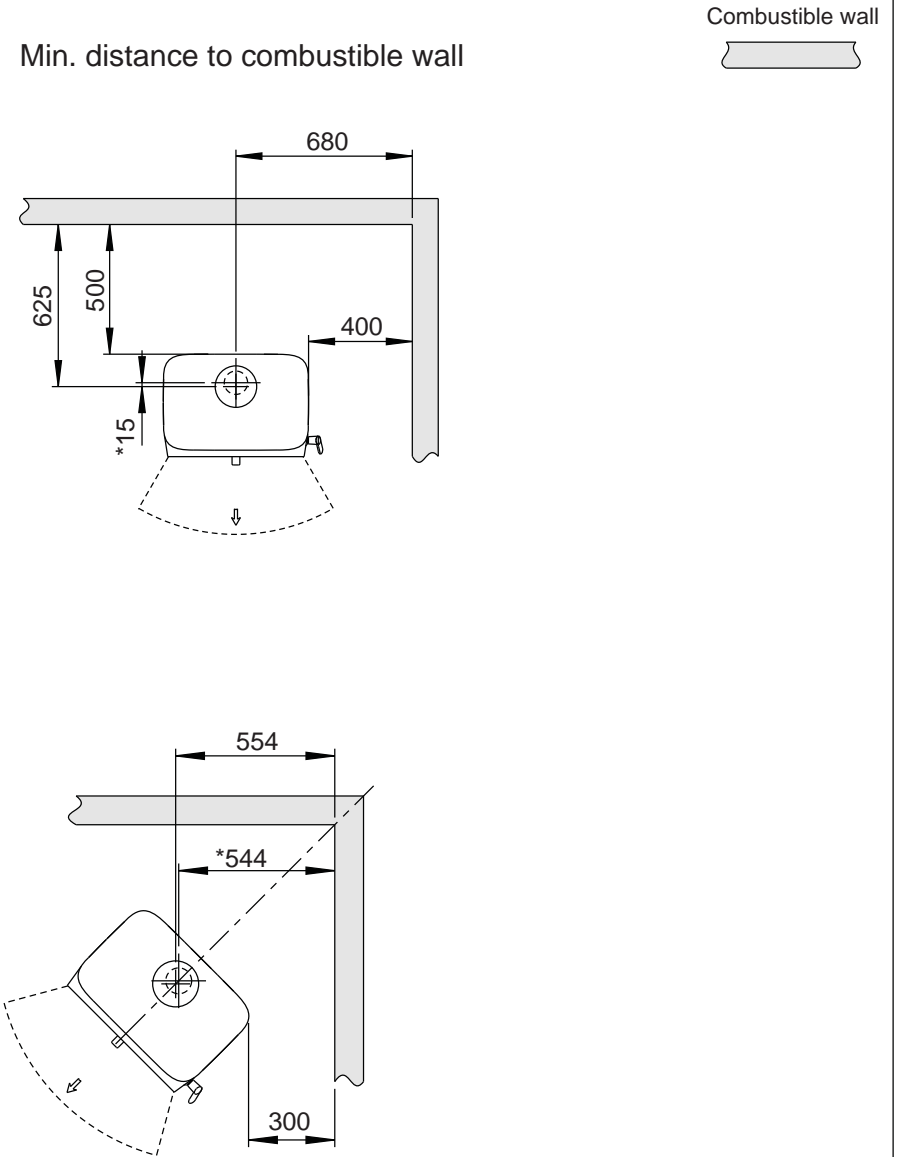
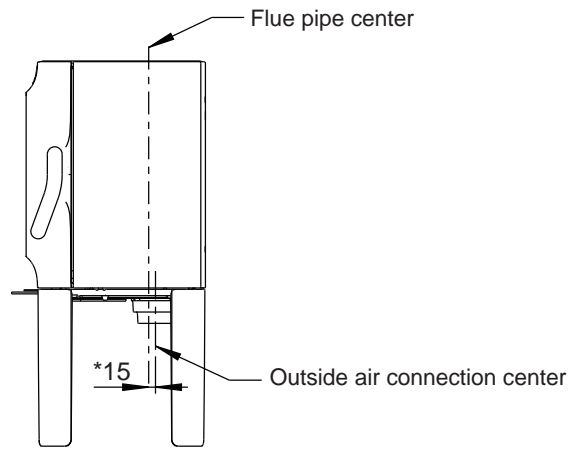
Floor plate



Min. measurements floorplate
 X / Y= According to national laws and regulations
 ** Min. distance to furniture / combustible material

Fig. 1c R

Jøtul F 305 R



* Outside air connection

900194-P00

Fig. 1d R

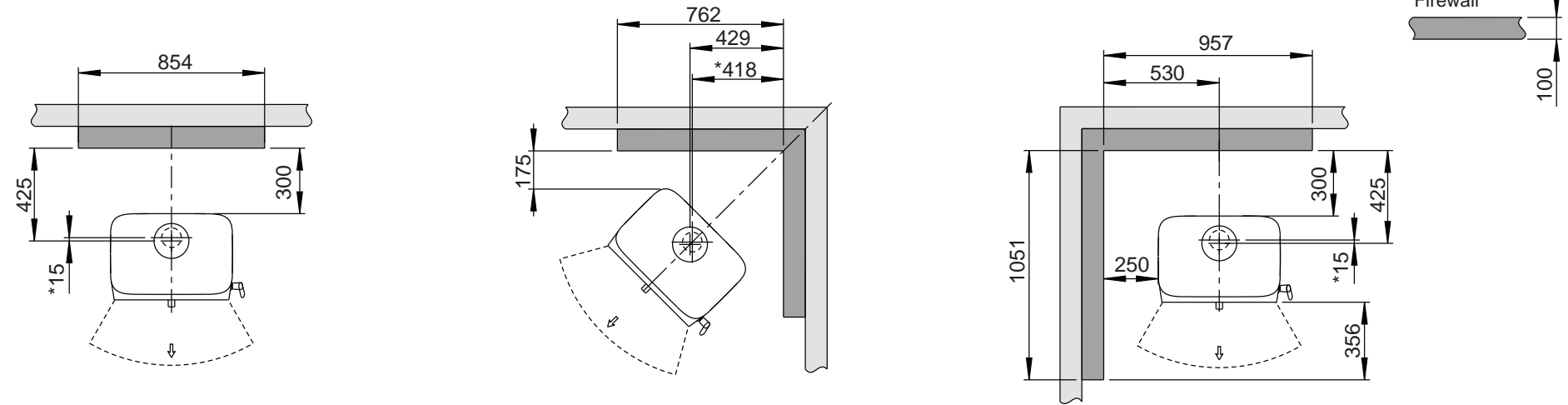
Jøtul F 305 R

Min. distance to combustibile wall protected by firewall

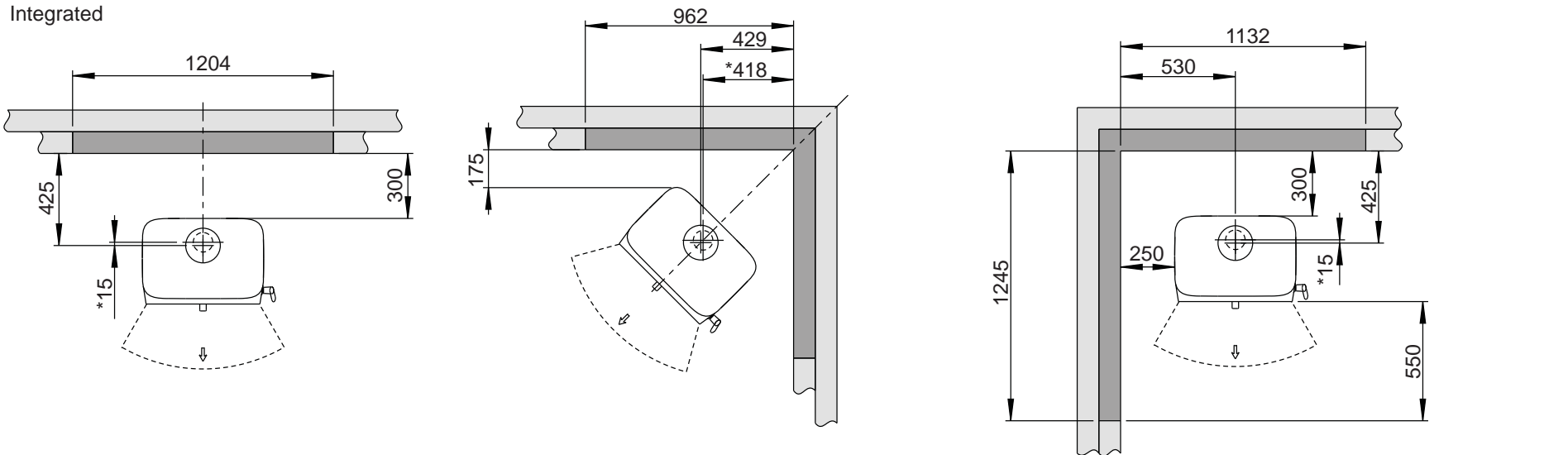
External

Combustible wall

Firewall



Integrated



*Outside air connection

Fig. 1a

Jøtul F 305

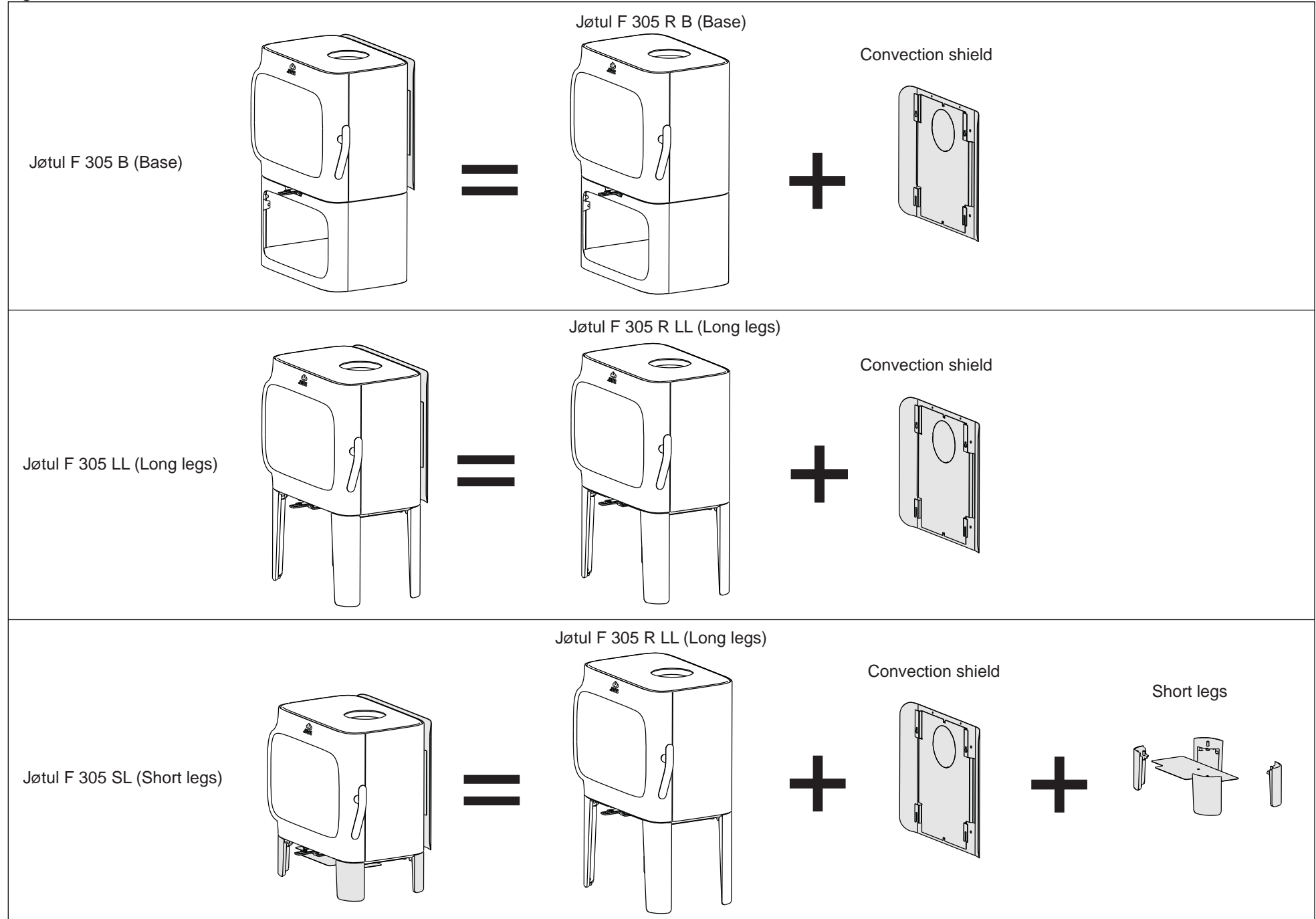
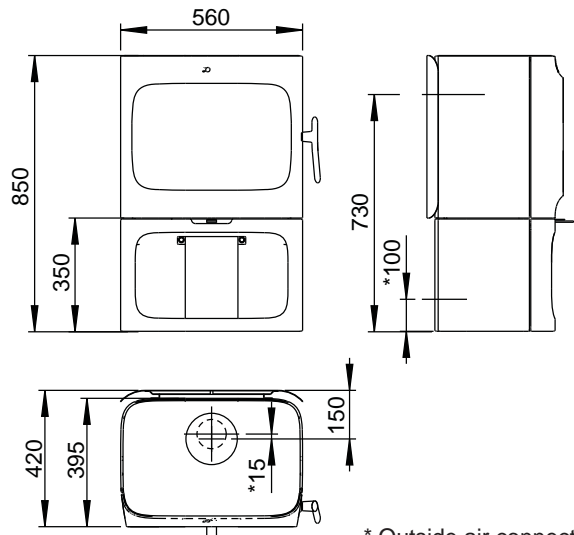


Fig. 1b

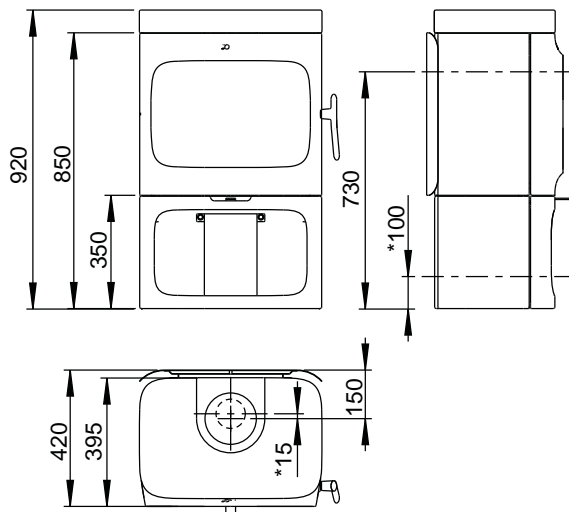
Jøtul F 305

Jøtul F 305 B (base)

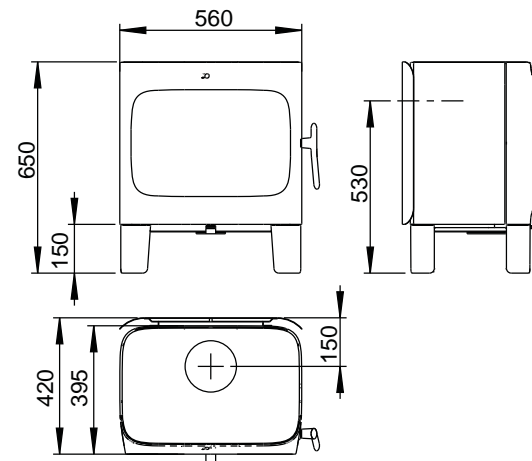


* Outside air connection

Jøtul F 305 B (base and soapstone top)



Jøtul F 305 SL (short legs)

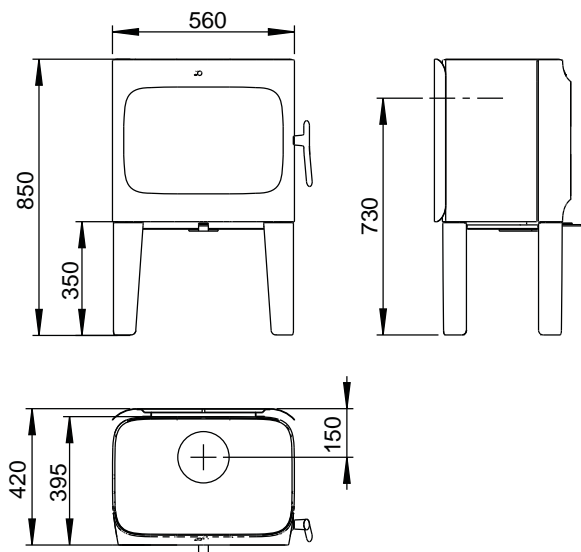


NB: The short legged version (Jøtul F 305 SL) can only be installed on a constructional hearth which must have an extension of minimum 500 mm in front of the stove.

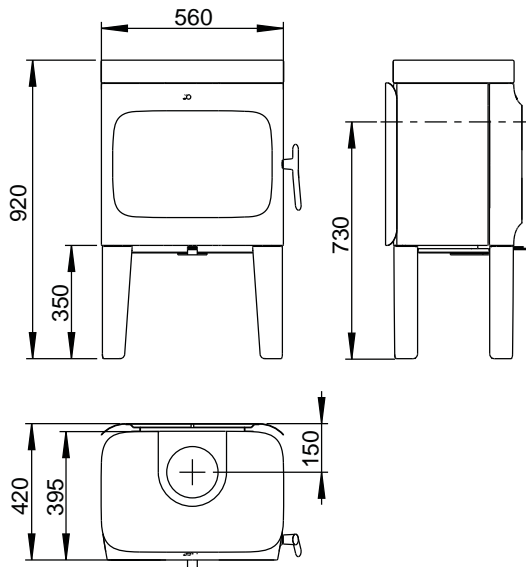
For further information please see:

Approved Document J2010 Section 2.22.

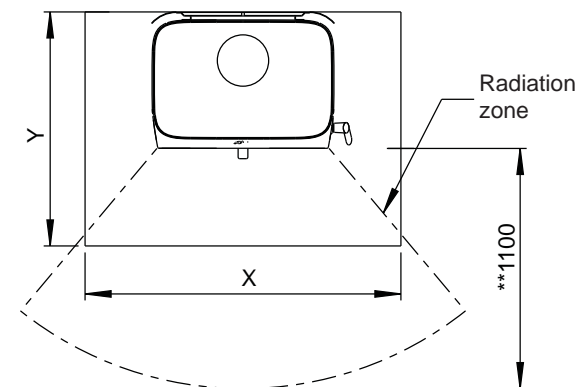
Jøtul F 305 LL (Long legs)



Jøtul F 305 LL (Long legs and soapstone top)



Floor plate



Min. measurements floorplate

X / Y= According to national laws and regulations

** Min. distance to furniture / combustible material

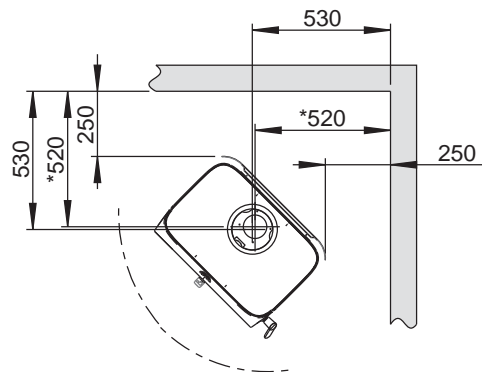
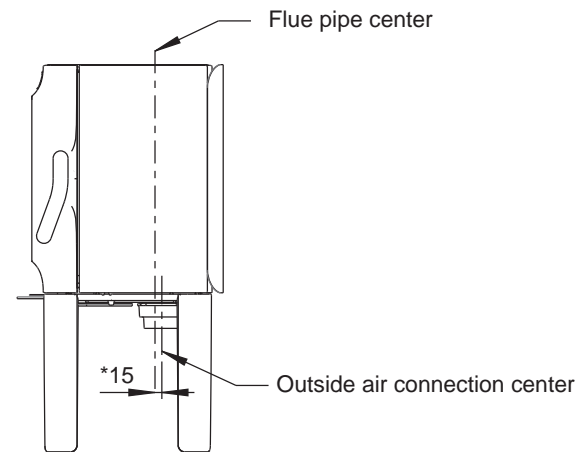
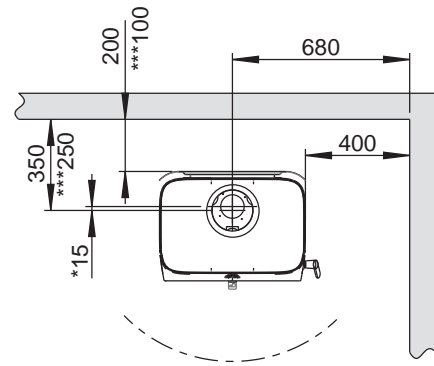
Fig. 1c

Jøtul F 305

Min. distance to combustible wall

Combustible wall

With standard convection shield



* Outside air connection

*** Distance to combustible wall with semi-insulated / shielded flue pipe.

Fig. 1d

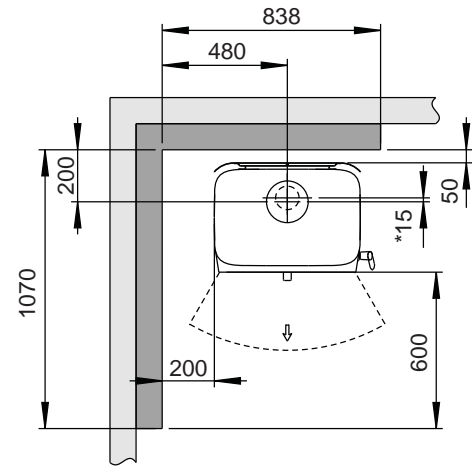
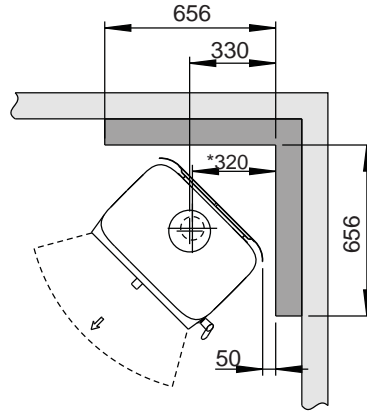
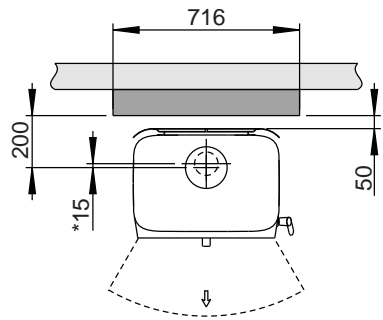
Jøtul F 305

Min. distance to combustibile wall protected by firewall

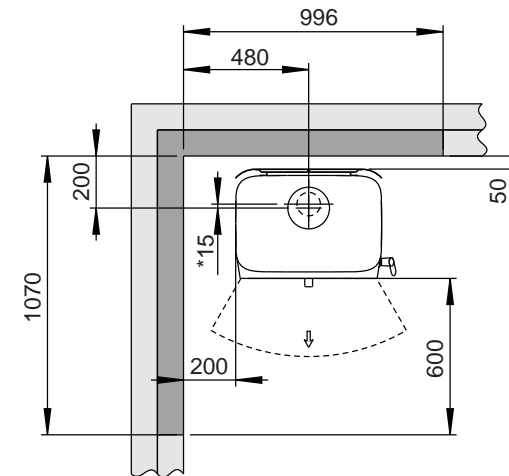
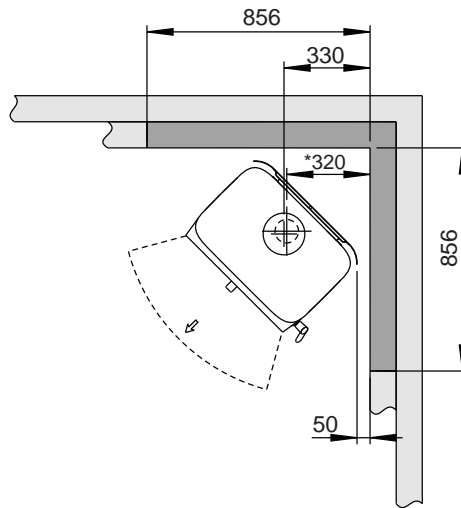
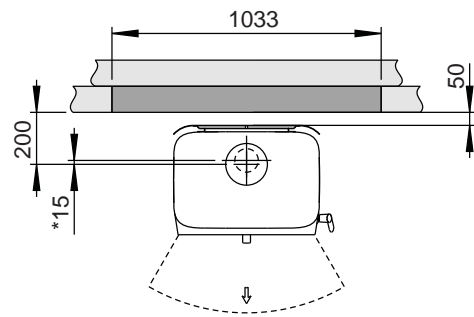
External

Combustible wall

Firewall



Integrated

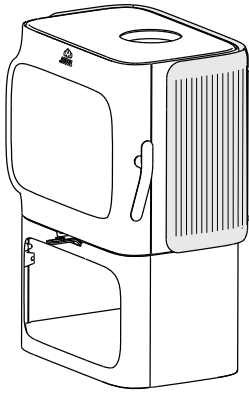


* Outside air connection

Fig. 1a C

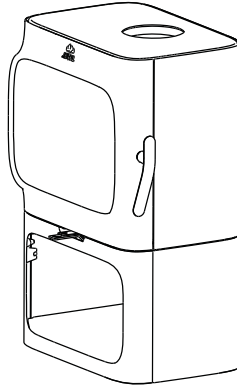
Jøtul F 305 C

Jøtul F 305 C B
(Base)



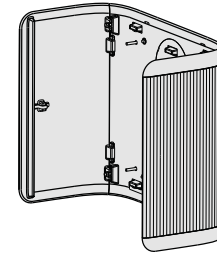
=

Jøtul F 305 R B (Base)

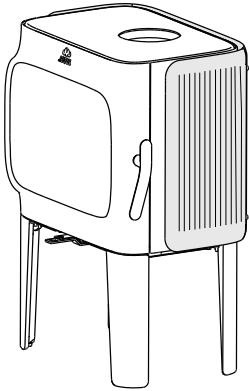


+

Convection set

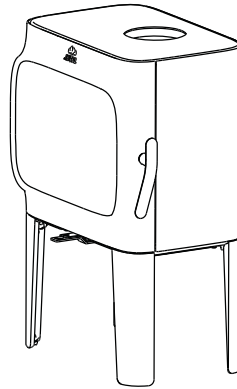


Jøtul F 305 C LL
(Long legs)



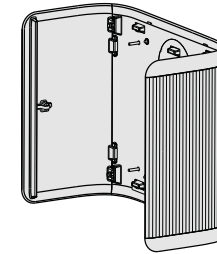
=

Jøtul F 305 R LL (Long legs)

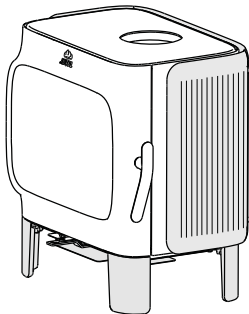


+

Convection set

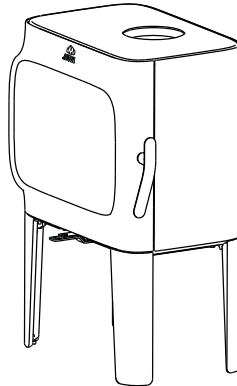


Jøtul F 305 C SL
(Short legs)



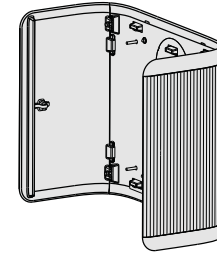
=

Jøtul F 305 R LL (Long legs)



+

Convection set



+

Short legs

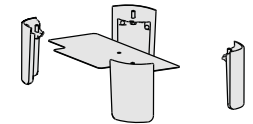
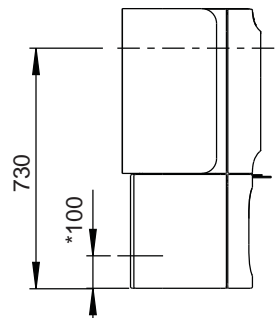
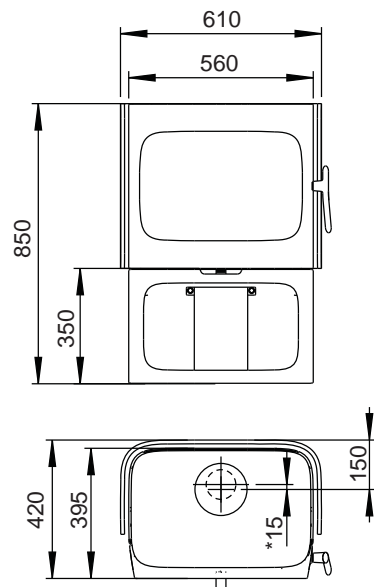


Fig. 1b C

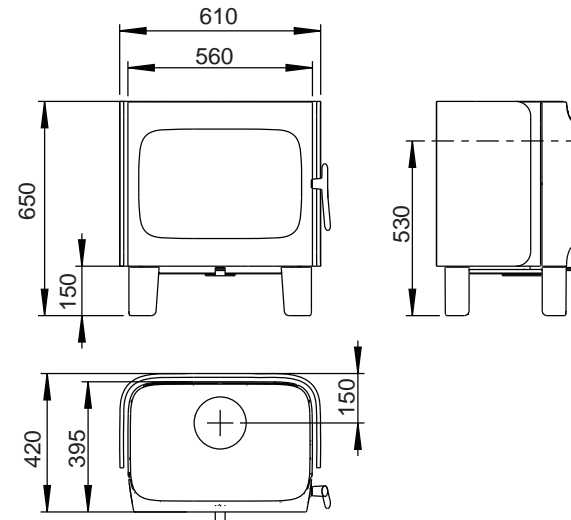
Jøtul F 305 C

Jøtul F 305 C B (base)



* Outside air connection

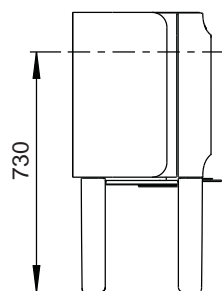
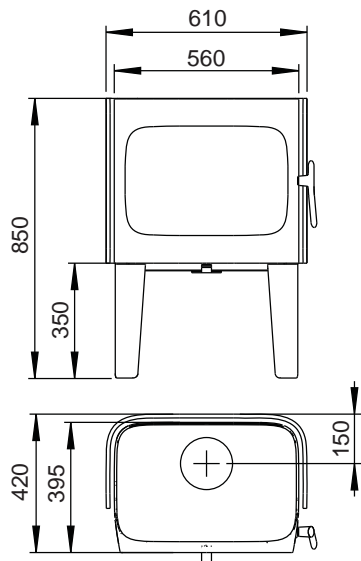
Jøtul F 305 C SL (short legs)



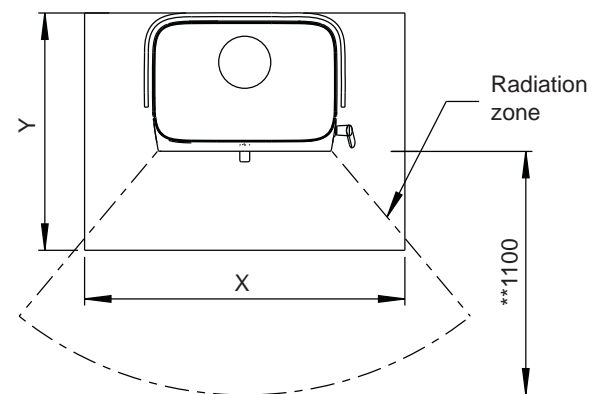
NB: The short legged version (F 305 C SL) can only be installed on a constructional hearth which must have an extension of minimum 500 mm in front of the stove.

For further information please see Approved Document J2010 Section 2.22.

Jøtul F 305 C LL (long legs)



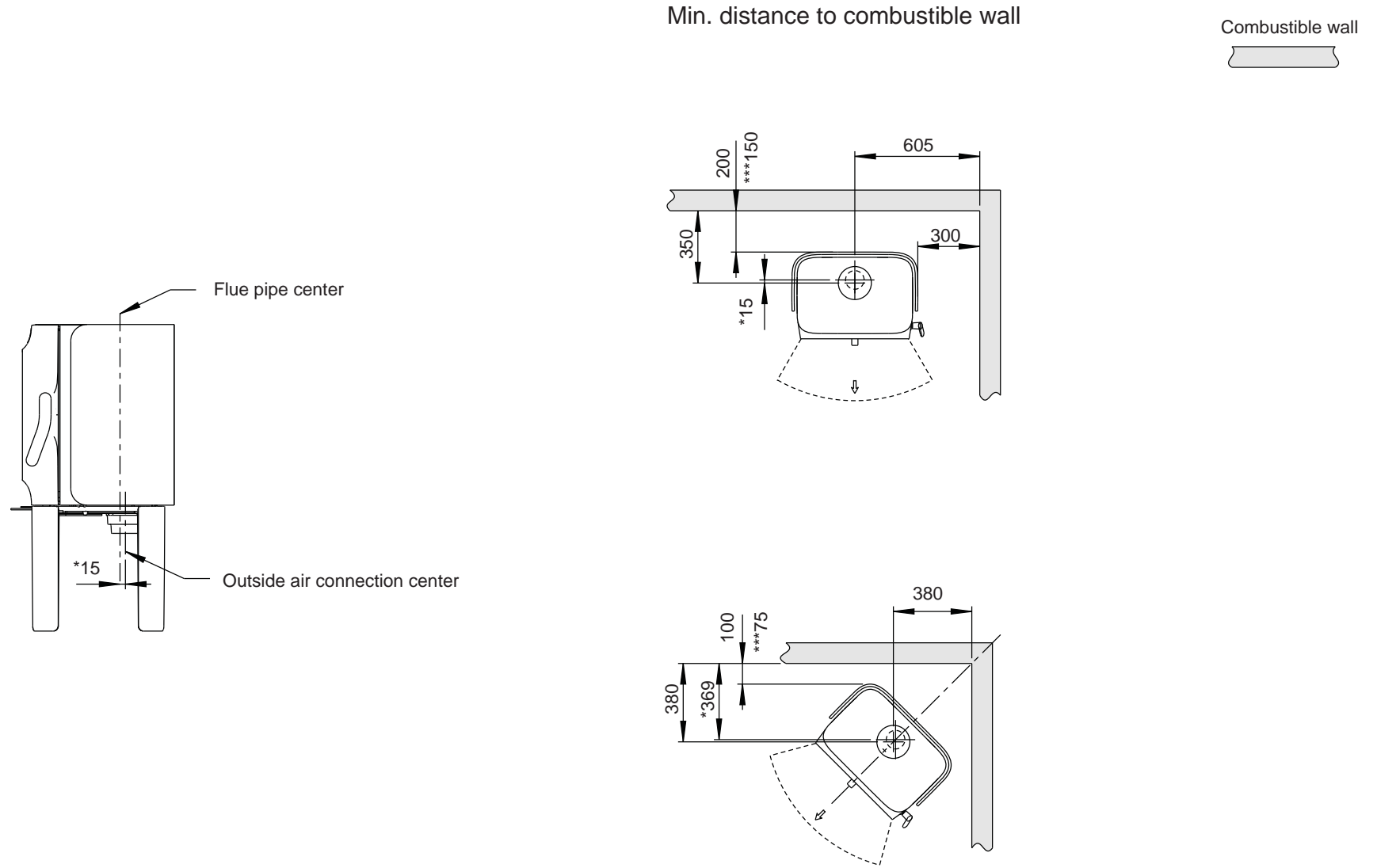
Floorplate



Min. measurements floorplate
 X / Y= According to national laws and regulations
 ** Min. distance to furniture / combustible material

Fig. 1c C

Jøtul F 305 C



* Outside air connection

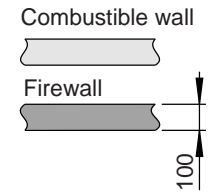
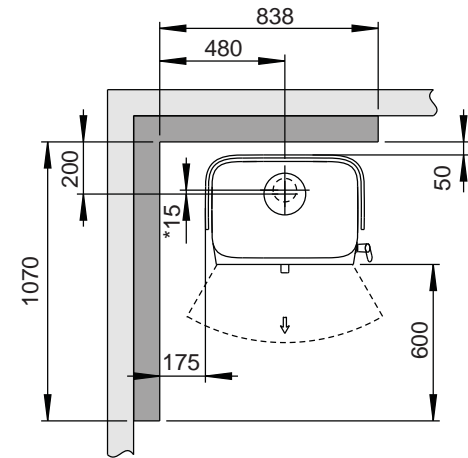
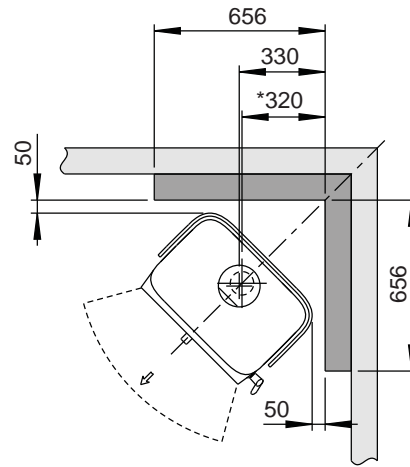
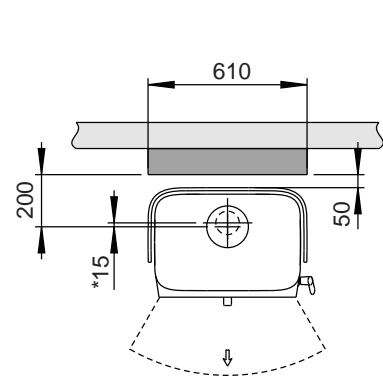
*** Distance to combustible wall with semi-insulated / shielded flue pipe.

Fig. 1d C

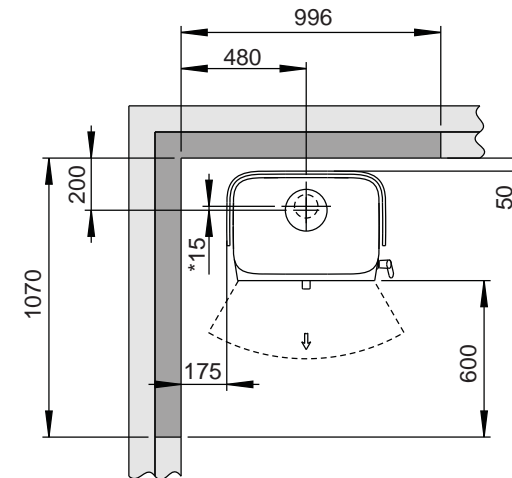
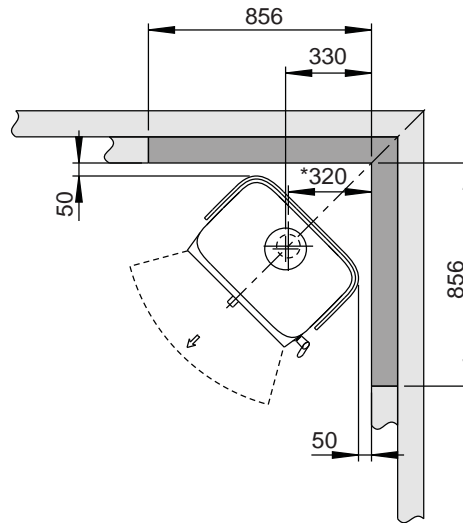
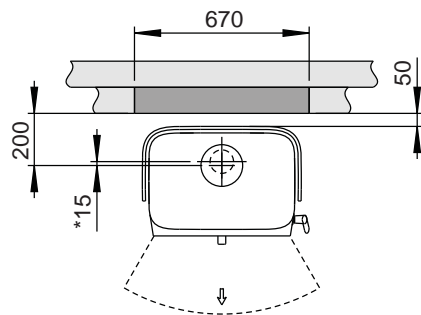
Jøtul F 305 C

Min. distance to combustible wall protected by firewall

External



Integrated



*Outside air connection